



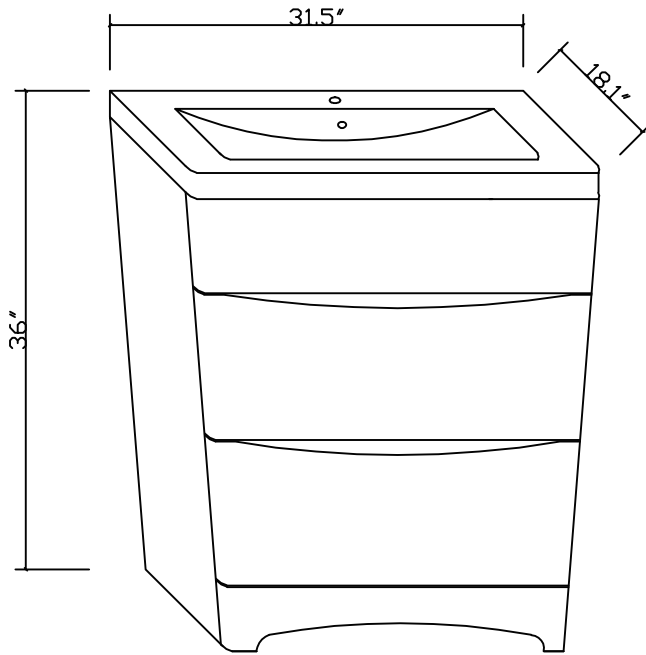
WM8932

INSTALLATION GUIDE

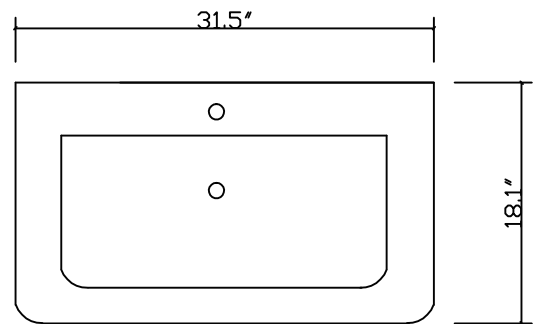


LEGION FURNITURE

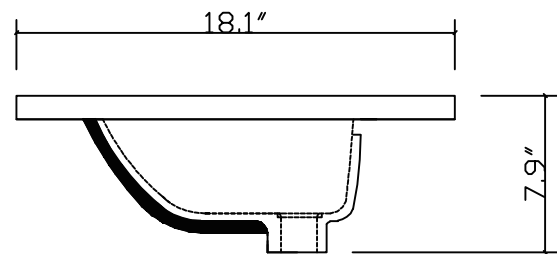
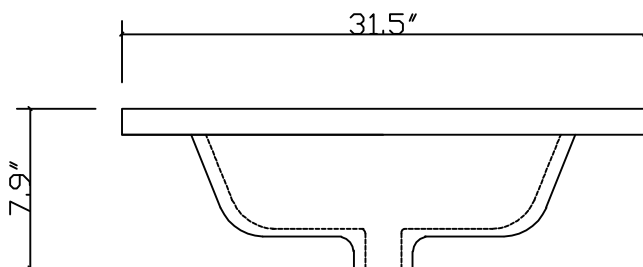
Vanity Ensemble



Countertop



Sink



Note: All dimensions and specifications are approximate and subject to change without notice.



LEGION FURNITURE

WM8932

INSTALLATION GUIDE

PAGE 1



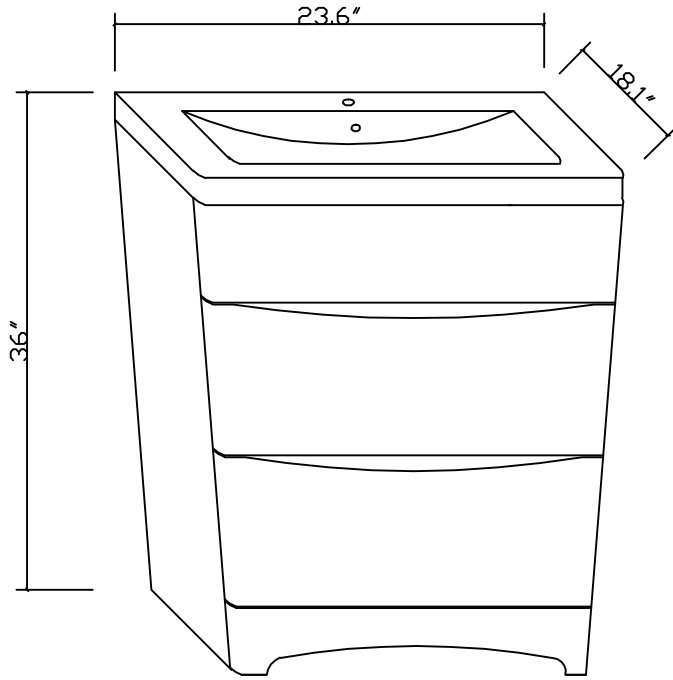
WM8932

INSTALLATION GUIDE

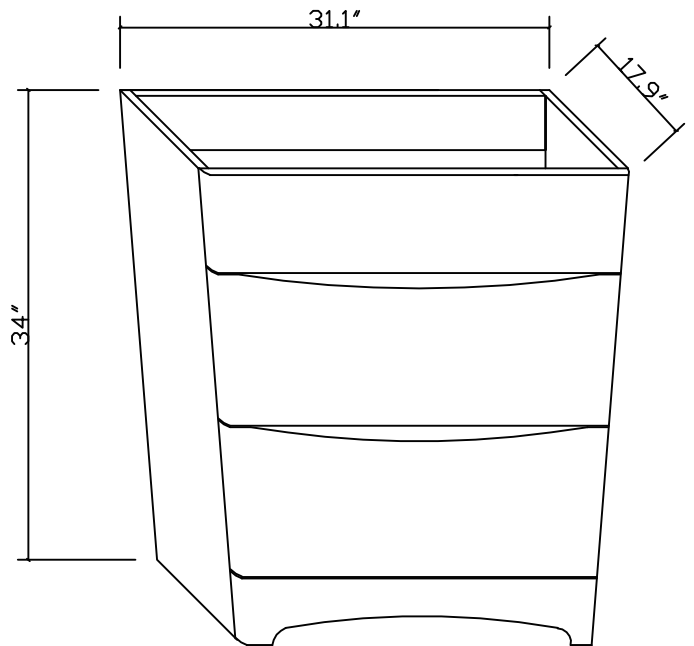


LEGION FURNITURE

Vanity with Basin



Vanity

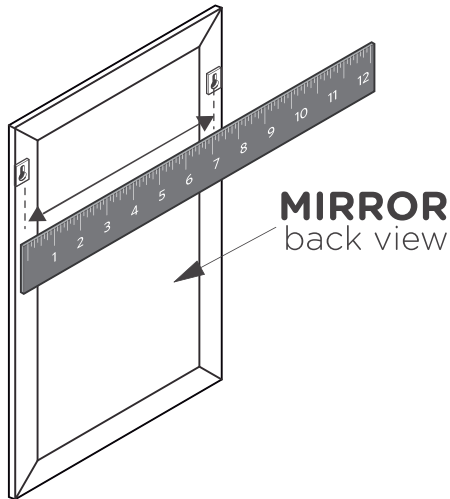


MIRROR INSTALLATION INSTRUCTION

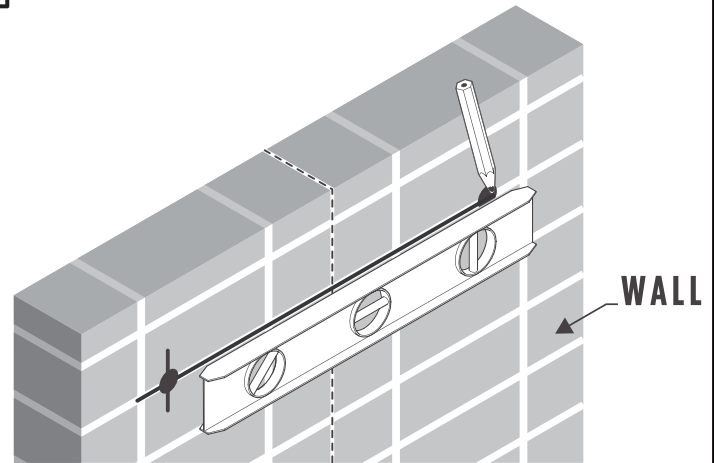
TOOLS FOR ASSEMBLY



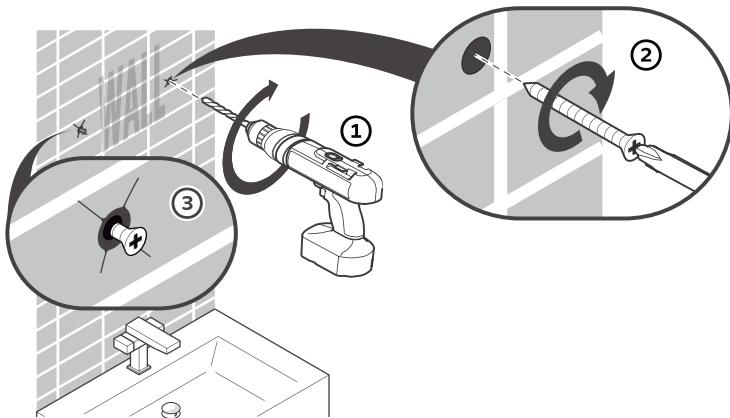
- 1 Measure the distance between the brackets on the back of the mirror



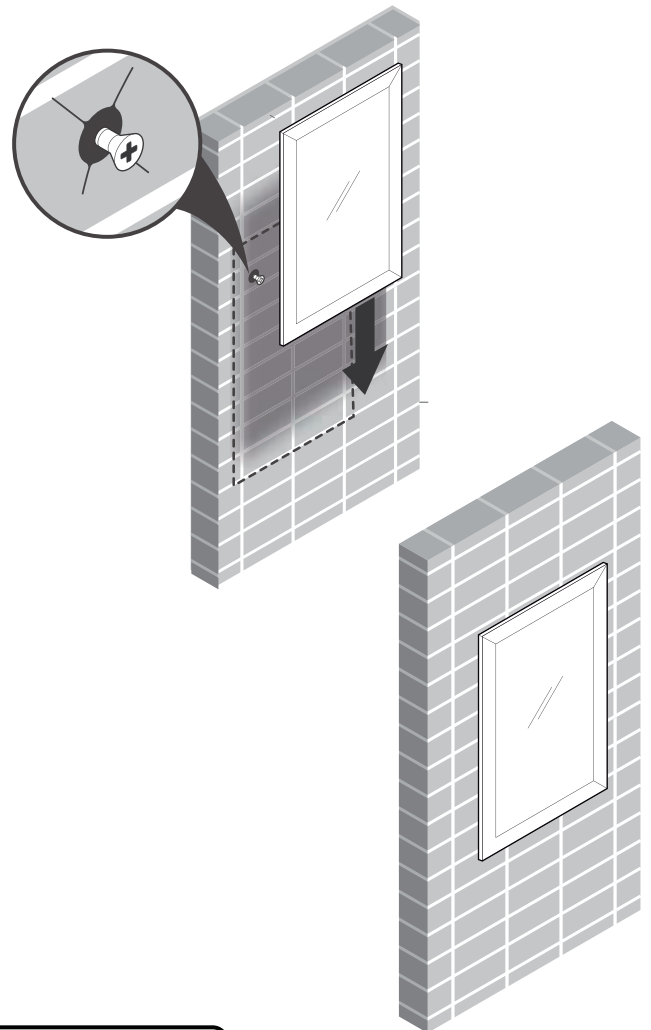
- 2 Mark the measured distance on the wall using a level



- 3 Once position is marked, drill 2 holes and insert anchors if stud is not available



- 4 Hang mirror on the wall



IMPORTANT:

CONSULT AN EXPERT FOR THE PROPER SCREWS/BOLTS TO USE WHEN ATTACHING TO VARIOUS WALL CONSTRUCTIONS. SCREWS PROVIDED **DO NOT** ATTACH TO ALL WALL CONSTRUCTION TYPES.



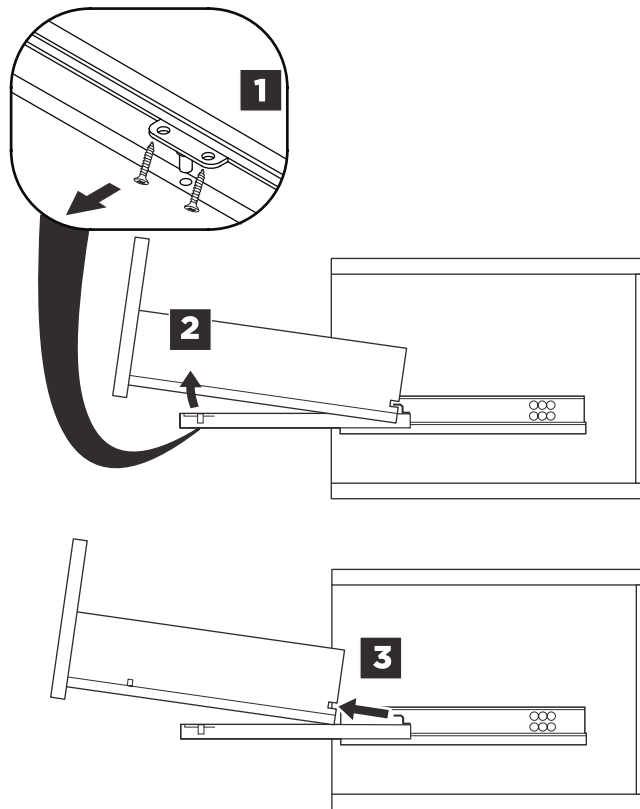
LEGION FURNITURE

WM8932

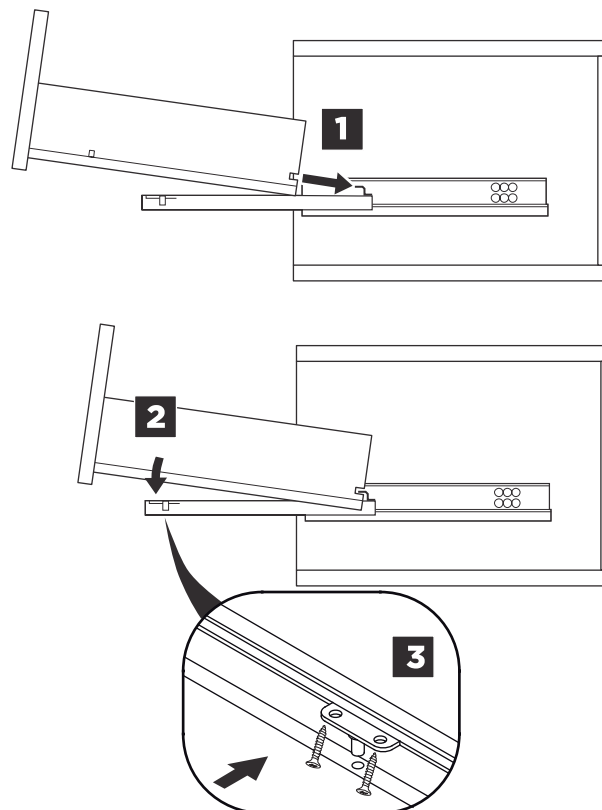
INSTALLATION GUIDE

PAGE 3

DRAWER REMOVAL

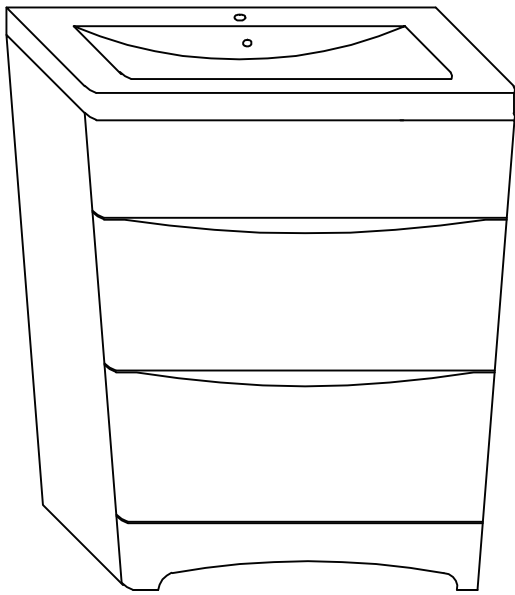


DRAWER INSTALLATION

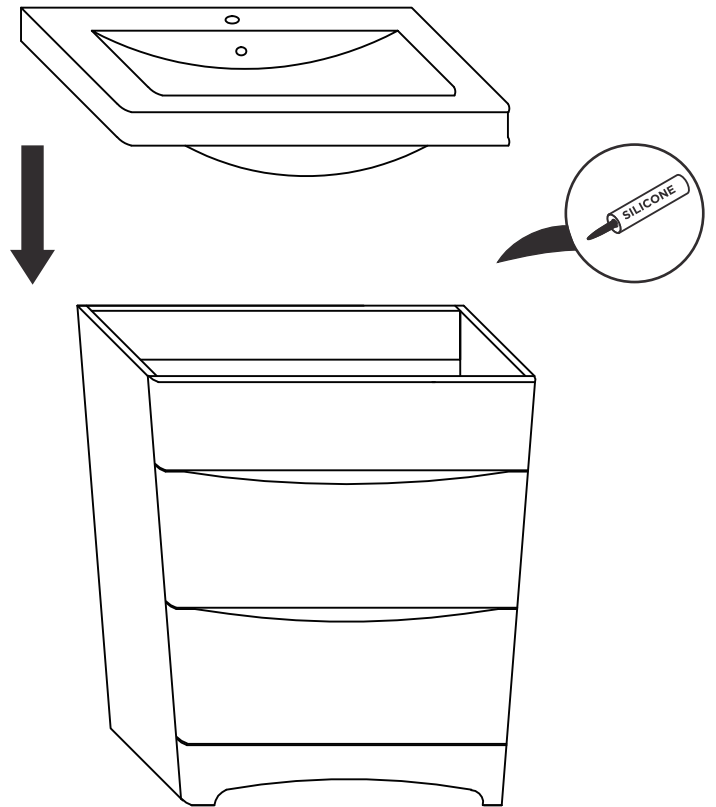


INSTALLATION INSTRUCTIONS

1 Secure cabinet to the wall



2 Apply a bead of silicone on the top of the cabinet and place the sink on top



IMPORTANT:

Consult an expert for the proper screws/bolts to use when attaching to various wall constructions. Screws provided do not attach to all wall construction types.



LEGION FURNITURE

WM8932

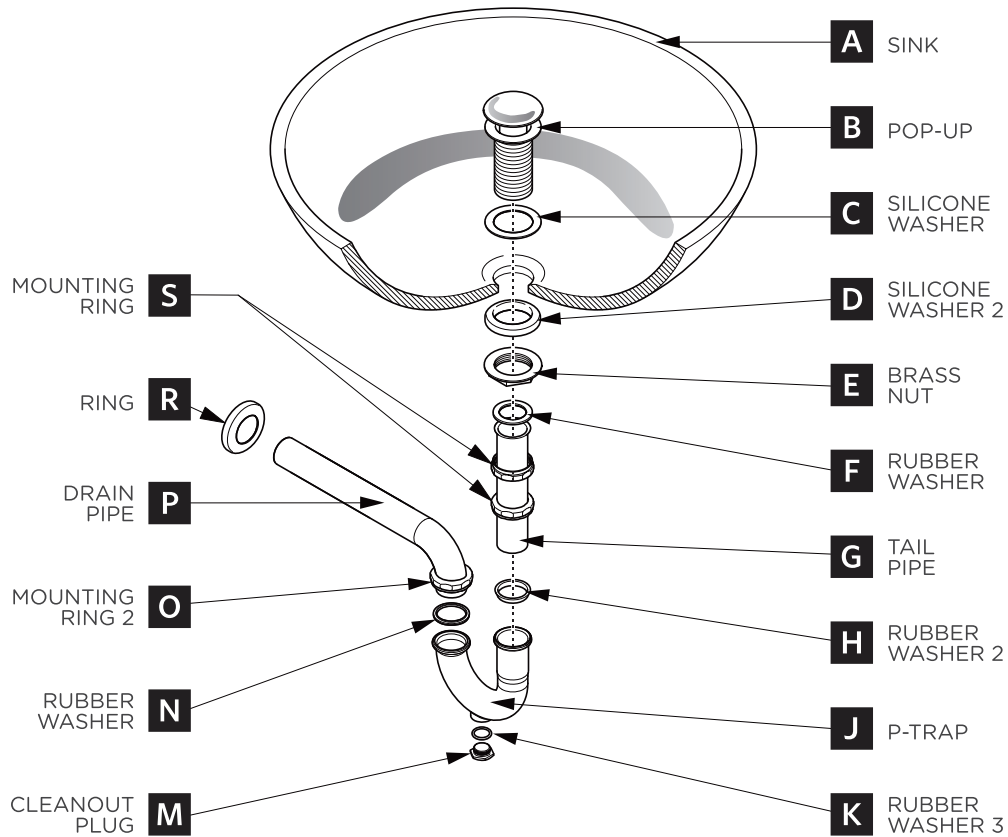
INSTALLATION GUIDE

PAGE 5

P-TRAP & POP-UP

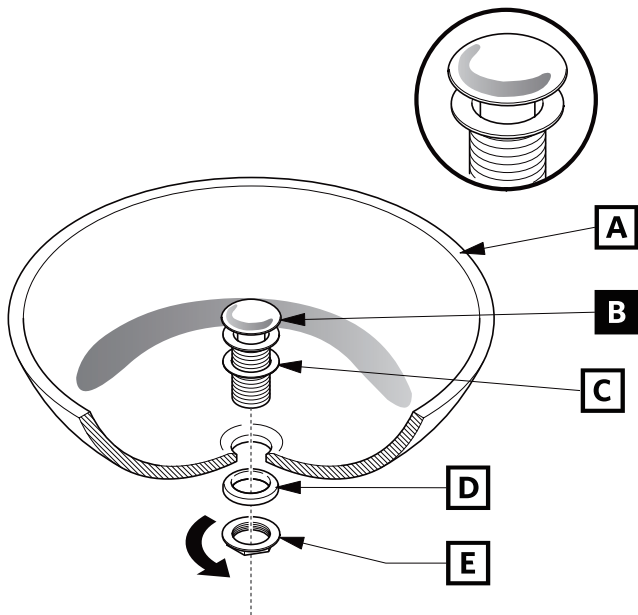
INSTALLATION INSTRUCTIONS

Your item may appear slightly different from the illustration.



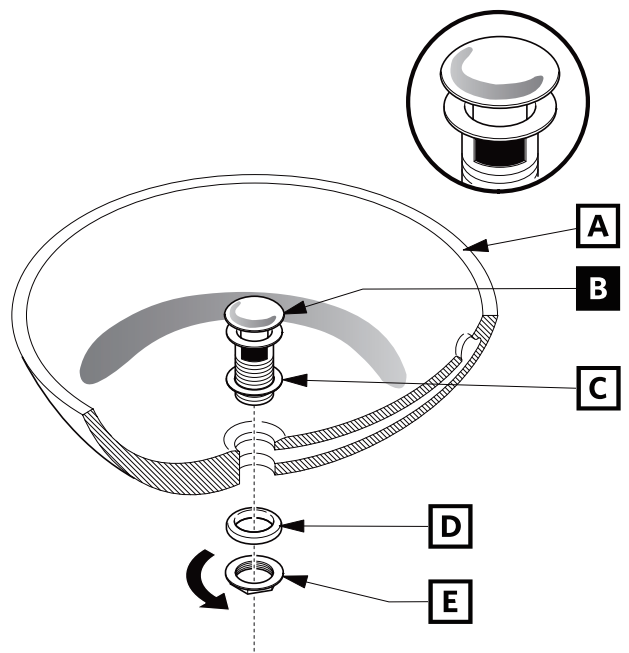
POP-UP INSTALLATION

FOR SINKS WITHOUT OVERFLOW



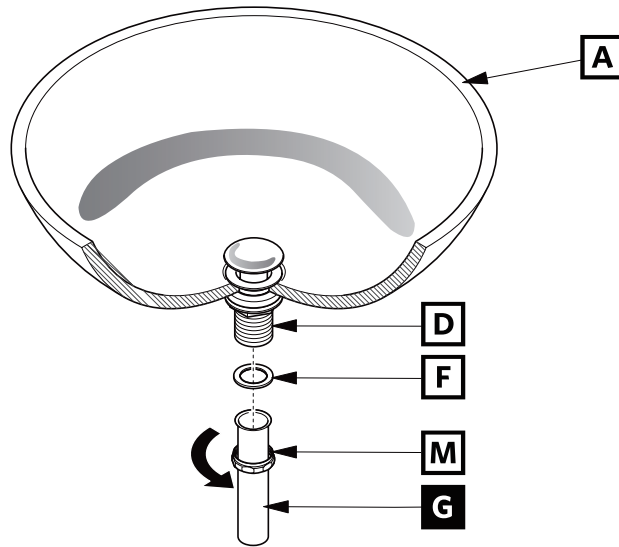
OR

FOR SINKS WITH OVERFLOW



P-TRAP INSTALLATION

1 Install tail pipe (G)



2 Install P-trap (J)

